

CLARKE®

WOODWORKER



DUST/WOODCHIP EXTRACTOR

MODEL NO: CDE35B

PART NO: 6470310

OPERATING & MAINTENANCE INSTRUCTIONS



ORIGINAL INSTRUCTIONS

GC0321 - REV 2

INTRODUCTION

Thank you for purchasing this CLARKE Dust Extractor.

This device is designed to collect large dust particles - wood chips, sawdust etc. greater than 5 microns in size. When cutting materials which may be toxic (some hardwoods, MDF etc.), the user must wear a dust mask capable of filtering dust down to 1 - 1.5 microns.

Before attempting to use this product, please read this manual thoroughly and follow the instructions carefully. In doing so you will ensure the safety of yourself and that of others around you, and you can look forward to your purchase giving you long and satisfactory service.

PRODUCT SPECIFICATIONS

Model Number	CDE35B
Dimensions (Length x Width x Height)	470 x 380 x 460 mm
Weight	22 kg (empty)
Dust bag	5 micron
Input Power	1HP
Motor Speed	2970 rpm
Power Supply	230V @ 50Hz 1ph
IP Rating	IP20
Noise Level	50-60 dB(A)

GUARANTEE

This product is guaranteed against faulty manufacture for a period of 12 months from the date of purchase. Please keep your receipt which will be required as proof of purchase.

This guarantee is invalid if the product is found to have been abused or tampered with in any way, or not used for the purpose for which it was intended.

Faulty goods should be returned to their place of purchase, no product can be returned to us without prior permission. This guarantee does not effect your statutory rights.

GENERAL SAFETY PRECAUTIONS

WORK AREA AND PERSONAL SAFETY

1. Avoid operating in the presence of flammable liquids or gases. The motor may produce sparks during operation. Do not use in enclosed areas where flammable, explosive or toxic vapours are given off.
2. Always stay alert, watch what you are doing and use common sense when operating the dust extractor. Do not use while you are tired or under the influence of medication, drugs or alcohol. Lack of attention can result in personal injury.
3. Never over-reach. Keep your proper footing and balance at all times to enable better control of the dust extractor in unexpected situations.
4. Never use a power product if any part is damaged. Have it inspected and repaired by your Clarke dealer. Do not use if the electric cable, plug, or the machine itself, is in poor condition.
5. Do not insert fingers or other objects into the inlet opening.
6. Always wear eye and ear protection when using the extractor.

GENERAL PRODUCT USE AND CARE

1. Prior to use, all users should become familiar with the warnings in this instruction manual.
2. Always maintain the dust extractor with care and keep it clean for best/safest performance.
3. Never abuse the power cable. Never pull on the cable when removing the plug from the socket or lift the extractor by the power cable. Take care not to close doors on the cable or allow it to become snagged under objects with sharp edges. Keep away from heat or oil.
4. Only use extension leads that are of an appropriate power rating and suitable for the work environment. Extension leads must have an earth connection. Inspect the extension lead regularly and replace if damaged.
5. Never abuse the dust extractor by standing on it.
6. Always store the dust extractor out of reach of children.

DUST EXTRACTOR SPECIFIC INSTRUCTIONS

1. This dust extractor is for indoor use only.
2. This dust extractor is for collecting wood chips, shavings and dust particles only. Do not use with hazardous substances i.e. MDF dust.

3. Always ensure that the dust extractor is properly positioned where necessary to prevent it from moving during use and that the immediate area is kept clear.
4. Always use a face or dust mask if operation is particularly dusty including when disposing of the contents.
5. Always disconnect the dust extractor from the power supply before servicing or removing & emptying the filter bag etc.
6. Never leave the dust extractor running unattended. Turn power off and wait for the machine to stop before leaving.
7. Do not use in enclosed areas where flammable, explosive or toxic vapours are given off, by oil based paints, paint thinner, petrol etc.
8. Never pick up flammable or readily combustible material, including burning cigarettes or other smoking substances.
9. Never attempt to pick up liquids with this vacuum extractor.
10. Always use in an upright position. Always transport the dust extractor using the handle.
11. Always take care when a long hose is required in the work area as it presents a trip hazard. Tidy the hose away when the job is finished.
12. Do not use without the inlet hose attached and ensure the cover is securely in place when in operation.
13. Only use parts and accessories recommended in this manual. The use of unauthorised accessories or attachments is not permitted and may result in personal injury or damage to the dust extractor.
14. Do not attempt to repair or modify the dust extractor or attempt any electrical repair yourself. Consult a qualified electrician or the Clarke Service Department on 020 8988 7400.

ENVIRONMENTAL RECYCLING POLICY



Through purchase of this product, the customer is taking on the obligation to deal with the WEEE in accordance with the WEEE regulations in relation to the treatment, recycling & recovery and environmentally sound disposal of the WEEE.

In effect, this means that this product must not be disposed of with general household waste. It must be disposed of according to the laws governing Waste Electrical and Electronic Equipment (WEEE) at a recognised disposal facility.

ELECTRICAL CONNECTIONS



WARNING! READ THESE ELECTRICAL SAFETY INSTRUCTIONS THOROUGHLY BEFORE CONNECTING THE PRODUCT TO THE MAINS SUPPLY.

Before switching the product on, make sure that the voltage of your electricity supply is the same as that indicated on the rating plate. This product is designed to operate on 230VAC 50Hz. Connecting it to any other power source may cause damage.


This product may be fitted with a non-rewireable plug. If it is necessary to change the fuse in the plug, the fuse cover must be refitted. If the fuse cover becomes lost or damaged, the plug must not be used until a suitable replacement is obtained.

If the plug has to be changed because it is not suitable for your socket, or due to damage, it should be cut off and a replacement fitted, following the wiring instructions shown below. The old plug must be disposed of safely, as insertion into a mains socket could cause an electrical hazard.

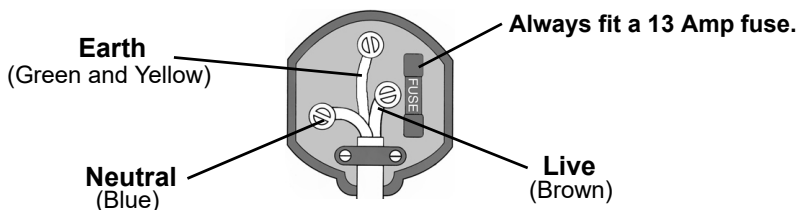


WARNING! THE WIRES IN THE POWER CABLE OF THIS PRODUCT ARE COLOURED IN ACCORDANCE WITH THE FOLLOWING CODE: BLUE = NEUTRAL BROWN = LIVE YELLOW AND GREEN = EARTH

If the colours of the wires in the power cable of this product do not correspond with the markings on the terminals of your plug, proceed as follows.

- The **Blue** wire must be connected to the terminal marked **N** or **coloured black**.
- The **Brown** wire must be connected to the terminal marked **L** or coloured red
- The **Yellow and Green** wire must be connected to the terminal marked **E** or  or coloured **Green**.

Plug must be BS1363/A approved.



Ensure that the outer sheath of the cable is firmly held by the clamp

We strongly recommend that this machine is connected to the mains supply via a Residual Current Device (RCD). If in any doubt, consult a qualified electrician. DO NOT attempt any repairs yourself.

COMPONENTS

When unpacking please check contents and advise your dealer immediately if any parts are missing. The essential components are as follows:

- 1 x Operating Instructions
- 1 x Base Plate (4) + 1 off & Motor Plate (20) + 1 off Collector Body & Motor (11 & 18)
- 1 x Outlet (23) + 1 x Seal. (22)
- 1 x Inlet/Hose Adaptor (29)
- 1 x Collector Bag. (24)
- 4 x Castors (1)
- 1 x Handle (25)
- 1 x Clamp (17)

NOTE: To aid assembly, all fixing screws etc are loosely fitted and may need to be removed as assembly progresses.



TOOLS REQUIRED

- Phillips screwdriver
- Flat bladed screwdriver
- 10mm spanner

HOSE ACCESSORY KIT

The CDE35B dust extractor will need to be connected to your woodworking appliance using the CDE Kit (part number 6470312) shown. This includes:

- 2.5 metre x 100mm (ID) flexible hose - fits between collector & 100mm outlet port on your woodworking machine.
- 4" x 2" adaptor - reduces standard 4" inlet port to accommodate 2" (ID) hose (not supplied).

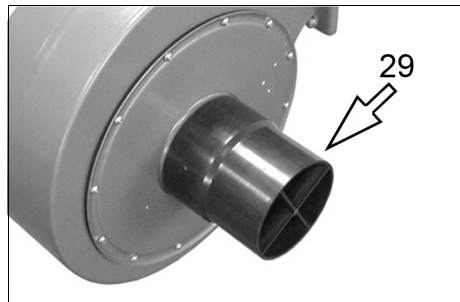
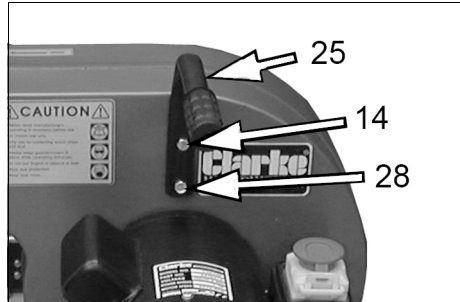


NOTE: In the following instructions the numbers in brackets refer to the component part numbers on pages 12/13.

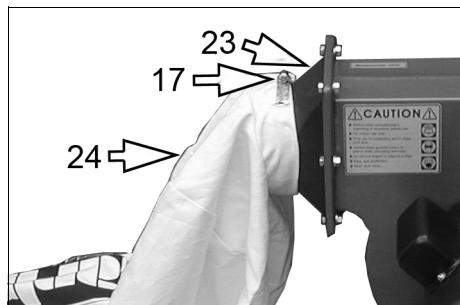
ASSEMBLY

To aid assembly, all fixing screws etc are loosely fitted and may need to be removed as assembly progresses.

1. Lay the components out neatly.
2. Turn the unit over and fit the castors (1) using screws and nuts supplied.
3. Attach the handle (25) using the two screws supplied. DO NOT overtighten.
4. Attach the inlet hose adaptor (29) to the inlet cover (6), screws supplied.
5. This is safety requirement as this part also prevents finger access into the impeller.
6. Fit the outlet (23) with the rubber seal (22) fitted between the outlet and the collector body, using the 6 nuts, bolts and washers supplied, DO NOT overtighten.



7. Attach the collector bag (24) to the outlet (23), and secure with the clamp (17) supplied, (DO NOT overtighten).



Your Woodchip/Dust Collector is now ready for use. If the collector is to be connected to a wood saw or other woodworking machine, ensure you have the correct diameter of hose.

- A flexible hose kit is available from your Clarke dealer. (see page 7)

STORAGE

For long term storage the machine may be wall mounted. Provided for this are two hooks (27), the hooks are fitted to the wall at a convenient location with the screw centres 170mm apart, using the appropriate fixings (not supplied).

OPERATION

DO NOT OPERATE WITHOUT ALL PARTS IN PLACE!

Do not attempt to clean, remove or attach dust bags or carry out any servicing to the machine whilst it is in operation.

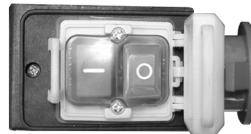
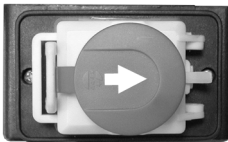
CAUTION: THE BLOWER HOUSING CONTAINS A HIGH SPEED FAN BLADE THAT COULD AMPUTATE FINGERS, GRAB LOOSE CLOTHING AND NECKTIES ETC, AND PROPEL DUST AT VERY HIGH VELOCITIES.

Connect the inlet hose to the outlet on your woodworking appliance using the inlet adaptor(s). Start the extractor using the ON/OFF switch (I=on/O=off).

To switch ON, press the switch cover down, slide in direction of arrow (see below) and lift up, this will expose the ON/OFF buttons. Push the ON button, (green button 'I'). DO NOT close the cover as this will switch the machine OFF again.

NOTE: *in case of emergency, close the switch cover quickly, cover will latch down and motor will be switched OFF.*

To switch OFF normally, press OFF button, (red button 'O'), always close the cover to prevent accidental starting.



Take care not to suck in foreign objects such as screws, nails, large pieces of plastic or wood.

When using the dust collector, keep a close eye on the waste collection bag, DO NOT allow the bag to become overfull, always attempt to empty when approximately three quarters full. It may be necessary to pull waste from the collection bag by hand, if so, wear gloves to protect your hands from sharp splinters etc, A suitable dust mask should also be worn.

NOTE: When emptying the waste bag, take care of flying dust, wear safety goggles and a dust mask. Ensure there are no other people or animals in the close vicinity that may be affected if sawdust does happen to blow about.

Regularly check the tightness of the collecting bag and retaining band.

NOTE: Empty the dust extractor after use and clean it when required. Dislodge as much imbedded debris as possible.

MAINTENANCE

Excessive dust in the motor can cause overheating. Ensure all air vents are clear. To avoid eye injury or adverse reaction to dust, clean the machine by blowing out the air vents using low pressure compressed air where possible.

Check the power cable to ensure it is free from cracks, bare wires etc. avoid using solvents when cleaning plastic parts, most plastics are susceptible to damage from the various types of commercial solvents.

All bearings in this machine are lubricated with a sufficient amount of high grade lubricant for the tools lifetime under normal operating conditions, therefore no further lubrication is required.

Occasionally it may be necessary to manually clean the impeller. To do this proceed as follows.

1. Switch OFF and unplug from the socket.
2. Remove 12 screws securing the inlet cover, (6), and remove the cover to expose the impeller.
3. Clean impeller using a brush, cleaning cloth, vacuum cleaner and/or low pressure compressed air.

CAUTION: BEWARE OF SHARP EDGES.

If any repairs (other than the above cleaning) becomes necessary, it should be carried out by an authorised service centre.

Ensure the hose is kept in good condition. A damaged hose will seriously effect the efficiency of the dust extractor and should be replaced. Contact your CLARKE dealer for replacements.

CARE & STORAGE

1. When not in use, switch off and unplug from the power supply and ensure the power cable is not left as a hazard for persons to trip over.
2. With the dust extractor unplugged from the power supply, use a dry cloth to wipe over the casing. Do not use solvents, thinners or alcohol to clean the dust extractor, as these chemicals will damage the finish.
3. Store the dust extractor in a secure, dry place, out of the reach of children. DO NOT leave it exposed to the elements and avoid direct sunlight, direct heat, rain/moisture etc.
4. The base of the machine is provided with two holes for the hooks to be located into, so that the collector bag is hanging downwards, to use the machine this way, it is necessary to remove the castors, (store safely for future use).

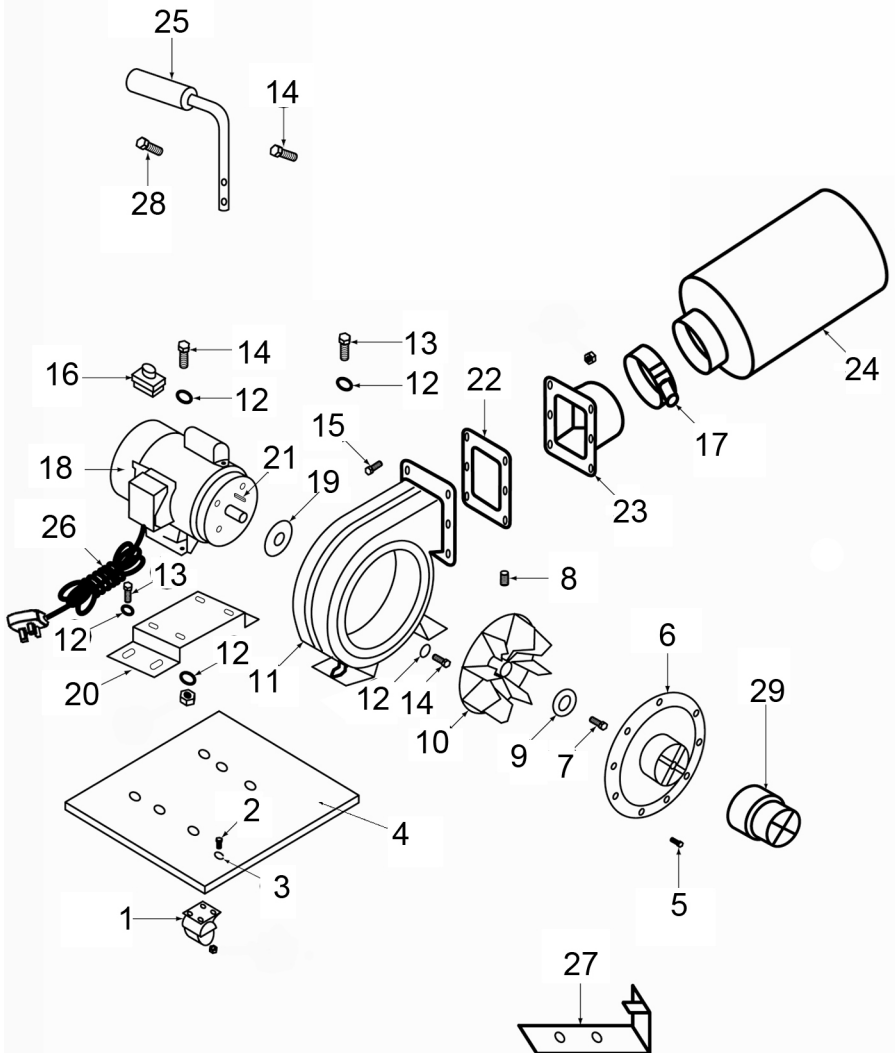
5. Ensure the wall fixings are of sufficient strength to support the machine, considering the machines weight and vibration during its operation.

TROUBLESHOOTING

Problem	Possible cause	Suggested Remedy
Motor will not run	1. Defective switch, cable or motor.	1. Check electrical connections to all components or consult your dealer.
Excessive dust in the air	1. Loose retaining band or hose. 2. Collecting bag damaged.	1. Tighten connections. 2. Replace collecting bag.
Unexpected noise from fan/motor	1. Loose internal components. 2. Dust buildup inside housing.	1. Consult your dealer.
Machine runs but fails to reach full speed.	1. Low voltage or motor defective.	1. Have machine repaired by your dealer
Motor fails to develop full power.	1. Supply circuit over loaded. 2. Extension lead to long or unsuitable.	1. Use different circuit. 2. Replace extension lead.
Motor starts slowly and fails to reach full speed.	1. Low voltage 2. Windings burnt out or open circuit.	1. Request voltage check by an electrician 2. Have motor repaired or replaced.
Motor does not start when ON switch is pressed.	1. Switch contacts burnt 2. Start capacitor faulty	1. Have switch replaced 2. Have capacitor replaced.

DO NOT attempt to carry out repairs yourself unless you are fully competent. All work must be carried out by a qualified technician.

PARTS DIAGRAM



COMPONENT PARTS LIST

No	Description
1	Castor
2	Pan head screw M6 x 16
3	Spring washer 6 dia
4	Base plate
5	Pan head screw M5 x 10
6	Inlet cover
7	Socket head screw-M6x20
8	Setscrew M8 x 10
9	Washer
10	Fan
11	Collector body
12	Washer 8 dia
12a	Nut M8
13	Hex head screw -M8 x 10
14	Hex head screw -M8 x 15
15	Hex head screw -M6 x 15
15a	Nut
16	Switch
17	Clamp
18	Motor
19	Seal
20	Motor plate
21	Key 5 x 5 x 30
22	Packing
23	Outlet
24	Collection bag
25	Handle
26	Power cable
27	Hooks
28	Hex head screw M6 x 25
29	Hose adaptor

DECLARATION OF CONFORMITY - UK



Hemncall Street, Epping, Essex CM16 4LG

DECLARATION OF CONFORMITY

This is an important document and should be retained.

We hereby declare that this product(s) complies with the following UK legislation:

Electromagnetic Compatibility Regulations 2016.

Supply of Machinery (Safety) Regulations 2008.

*The Restriction of the Use of Certain Hazardous Substances
in Electrical and Electronic Equipment Regulations 2012.*

The following standards have been applied to the product(s):

EN 62233:2008, EN 60335-2-69:2012, EN 60335-1:2012+ A11+A13+A1+A14+A2,

EN 61000-3-2:2014, EN 61000-3-3:2013, EN 55014-2:2015, EN 55014-1:2017.

The technical documentation required to demonstrate that the product(s) meet(s) the requirement(s) of the aforementioned legislation has been compiled and is available for inspection by the relevant enforcement authorities.

This product was placed onto the market: 2002

Product Description:	Dust Extractor
Model number(s):	CDE35B
Serial / batch Number:	N/A
Date of Issue:	15/03/2021

Signed:

J.A. Clarke
Director

DECLARATION OF CONFORMITY - EU



Clarke[®]
INTERNATIONAL

Fitzwilliam Hall, Fitzwilliam Place, Dublin 2

DECLARATION OF CONFORMITY

This is an important document and should be retained.

We hereby declare that this product(s) complies with the following directive(s):

2014/30/EU *Electromagnetic Compatibility Directive.*
2006/42/EC *Machinery Directive.*
2011/65/EU *Restriction of Hazardous Substances, (amended by 2015/863).*

The following standards have been applied to the product(s):

*EN 62233:2008, EN 60335-2-69:2012, EN 60335-1:2012+ A11+A13+A1+A14+A2,
EN 61000-3-2:2014, EN 61000-3-3:2013, EN 55014-2:2015, EN 55014-1:2017.*

The technical documentation required to demonstrate that the product(s) meet(s) the requirement(s) of the aforementioned directive(s) has been compiled and is available for inspection by the relevant enforcement authorities.

The CE mark was first applied in: 2002

Product Description:	Dust Extractor
Model number(s):	CDE35B
Serial / batch Number:	N/A
Date of Issue:	15/03/2021

Signed:

J.A. Clarke
Director

A SELECTION FROM THE VAST RANGE OF

Clarke®

QUALITY PRODUCTS



AIR COMPRESSORS

From DIY to industrial, Plus air tools, spray guns and accessories.

GENERATORS

Prime duty or emergency standby for business, home and leisure.

POWER WASHERS

Hot and cold, electric and engine driven - we have what you need

WELDERS

Mig, Arc, Tig and Spot. From DIY to auto/industrial.

METALWORKING

Drills, grinders and saws for DIY and professional use.

WOODWORKING

Saws, sanders, lathes, mortisers and dust extraction.

HYDRAULICS

Cranes, body repair kits, transmission jacks for all types of workshop use.

WATER PUMPS

Submersible, electric and engine driven for DIY, agriculture and industry.

POWER TOOLS

Angle grinders, cordless drill sets, saws and sanders.

STARTERS/CHARGERS

All sizes for car and commercial use.

PARTS & SERVICE:

0208 988 7400

Parts Enquiries

Parts@clarkeinternational.com

Servicing & Technical Enquiries

Service@clarkeinternational.com

SALES: UK 01992 565333 or Export 00 44 (0)1992 565335

Clarke INTERNATIONAL Hemnall Street, Epping, Essex CM16 4LG
www.clarkeinternational.com